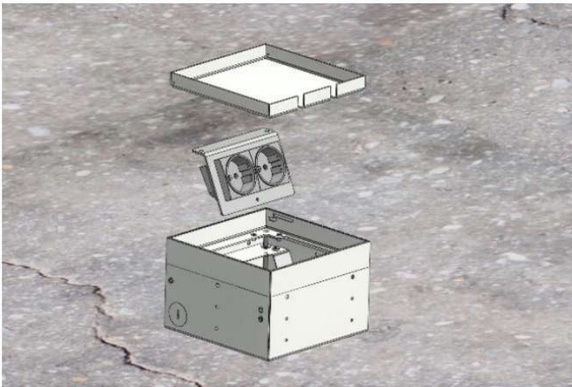
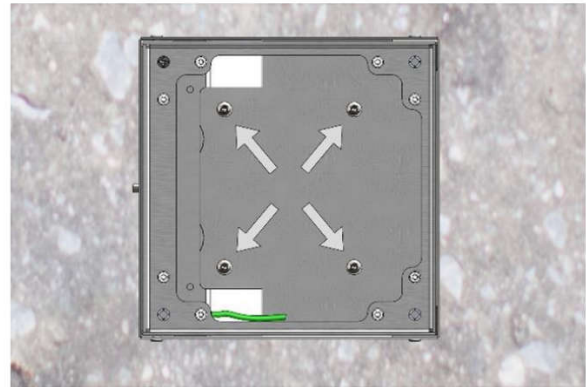


Assembly Instructions

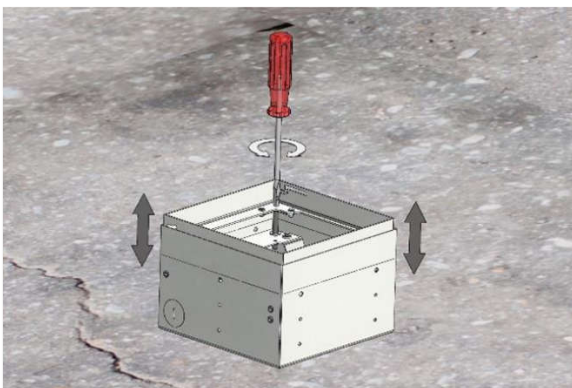
8900-B/Bnw – 8920-B/Bnw (Example shows: 8802-B)



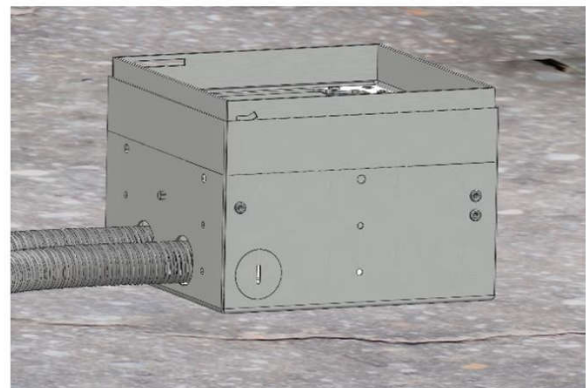
Remove the lid from the box.
Unscrew gear tray out of the box.



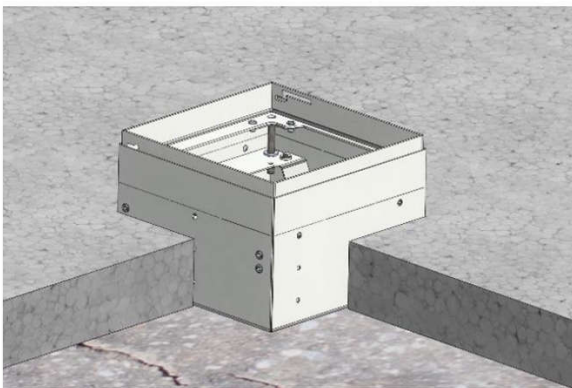
Fix the box at the ground.



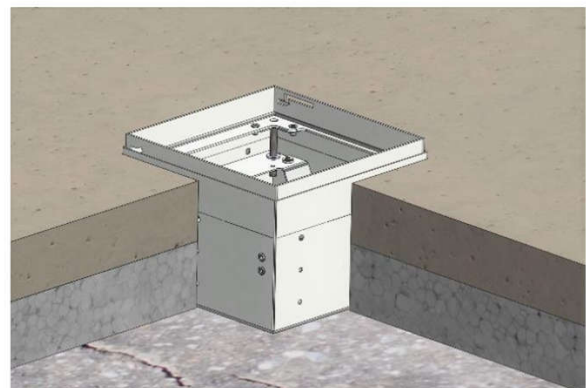
Adjust the height of the frame with the leveling screws.



Connect conduits (rear, bottom or sides).



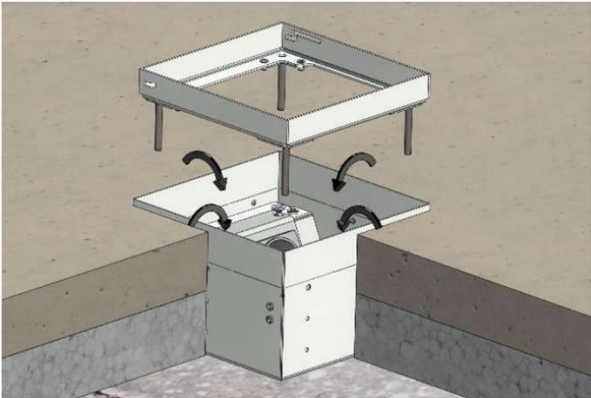
Insulation



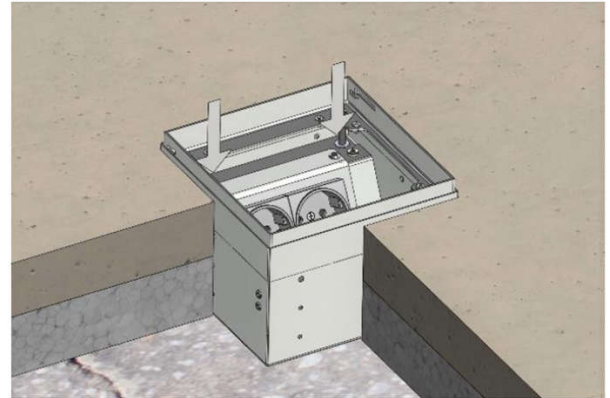
Cast the screed. (Seal the Box!)

Assembly Instructions

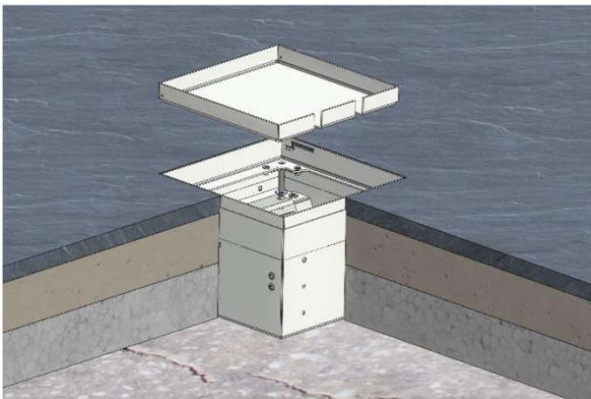
8900-B/Bnw – 8920-B/Bnw (Example shows: 8802-B)



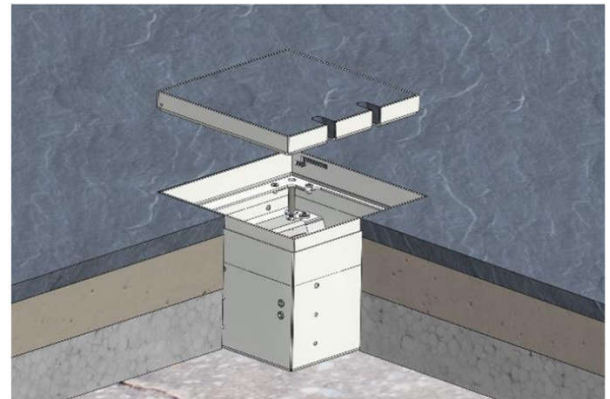
Installation height <100 mm: remove frame, break edges, screw in frame.



Connect the cables and screw in the gear tray.



Lay floor covering.



Fill the lid with covering.

